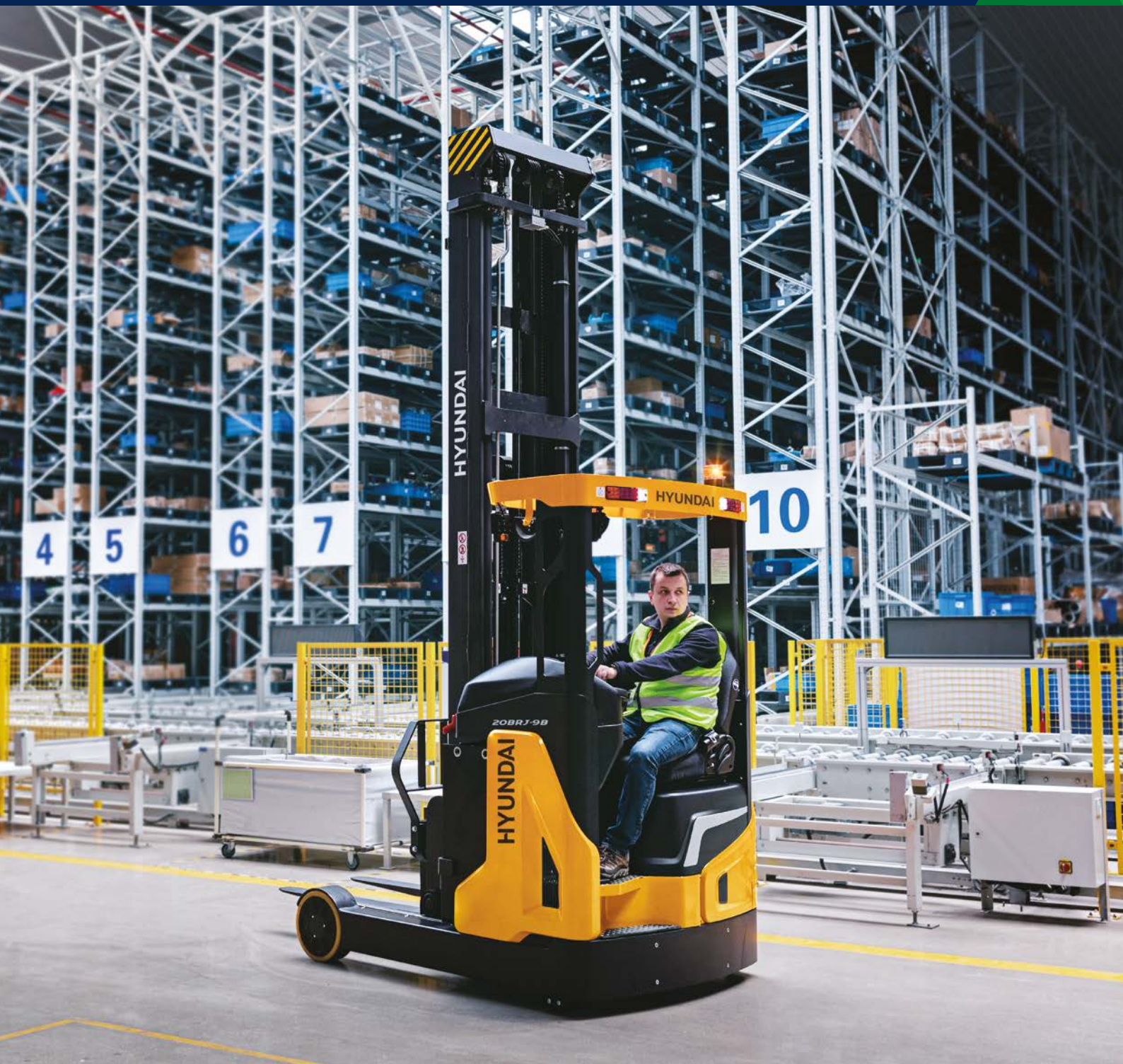


16/20BRJ-9B(H)

REACH TRUCKS



Load Capacity
1600 – 2000 kg

Drive Motor Rating
48 V • 6 – 7 kW

Lift Height
4500 – 13500 mm

MAXIMUM PRODUCTIVITY IN CONFINED SPACES

The new Hyundai 16/20BRJ-9B(H) Reach Trucks

With a load capacity of 1600-2000 kg, a powerful battery and small turning radius, these reach trucks take your workflow capability to another level. Engineered for performance, they deliver a perfect blend of safety, reliability and energy efficiency. With a strong chassis and excellent visibility, you can enjoy comfortable driving, easy operation and hassle-free maintenance for maximum productivity.



 SMALL TURNING RADIUS	 CAPACITY 1600-2000 KG	 EASY MAINTENANCE
 POWERFUL BATTERY	 ROBUST DESIGN	 LOW NOISE

SAFE, RELIABLE AND EFFICIENT

Operator safety is a high priority for Hyundai, which is why we use scientific vehicle body design and effective safety systems. We also keep running costs down with low maintenance and long life parts.

Speed limit control

When the forklift lifts to a certain height, the driving speed will automatically decrease to ensure the safety of the high position operation.

Precision control

The electro-hydraulic proportional control system ensures exceptional responsiveness, precision, and immediate feedback without any delay.

Height limit safety

The lifting motor automatically slows down when the fork reaches its maximum height, ensuring safe lifting operation.

Excellent visibility

Strategically positioned lifting cylinders and hydraulic lines, combined with the optimised design of the chassis and masts, offer a clear panoramic view.



POWERFUL BATTERY



SMALL TURNING RADIUS

Reduced turning radius

A curved modern chassis design helps increase manoeuvrability in tight spaces.

Safer turning

Curve control reduces speed when turning, ensuring maximum safety at all times.

Mast safety

Experience smooth and controlled deceleration through the hydraulic function, enhancing the reach truck's comfort, safety, and stability.

Maintenance-free AC motors

Powerful, efficient motors for driving, lifting and power steering, ensure reliable performance, and a long service life.

Li-ion battery **OPTION**

The Li-ion battery is completely maintenance-free. With the ability to charge during breaks, it can effortlessly support multiple shifts. An efficient asset that saves both time and costs!

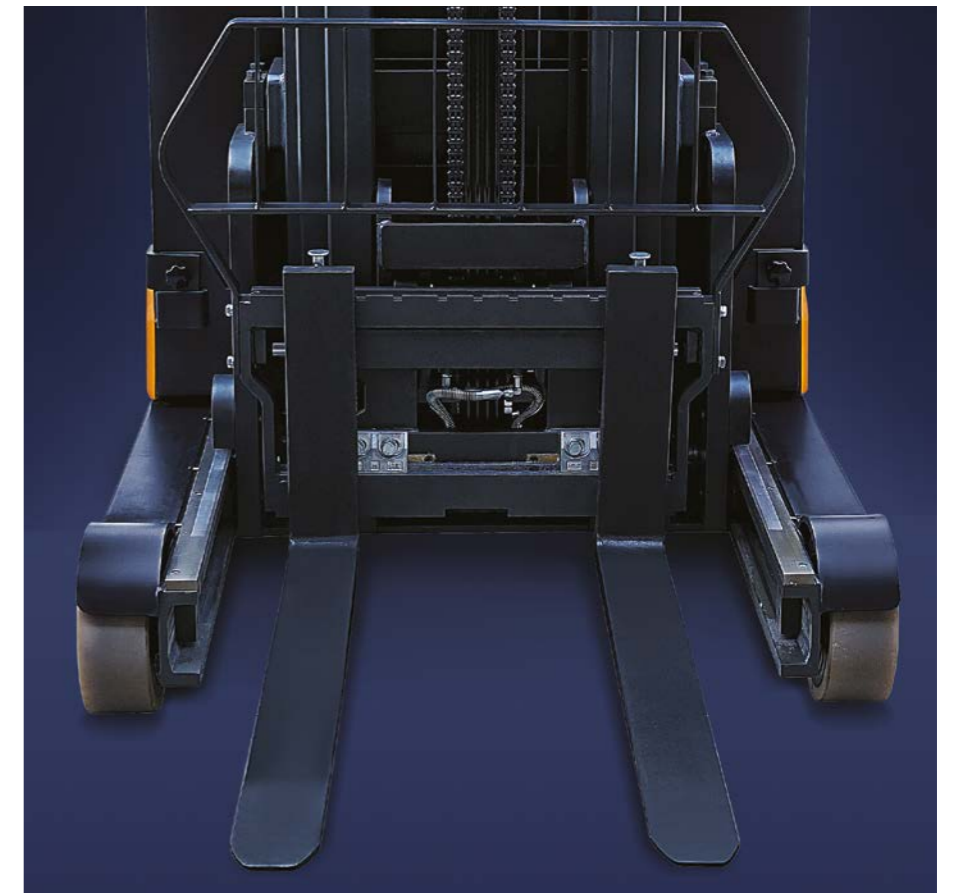
Robust design and excellent stability

Strong chassis

The chassis design provides greater strength for a longer operating life.

Excellent stability

The design of the chassis and masts ensures exceptional stability for this reach truck when operating at height.



COMFORTABLE DRIVING AND EASY OPERATION

An operator who enjoys comfort while working can be more productive. That's why we've increased the cab space and added numerous functions that allow the operator to work more efficiently and comfortably.

Multi-functional display

The colour touchscreen display is available with the height preselection system or camera system options.

Electronic power steering

Our electronic steering system feels light and has an automatic centering function. Two steering modes of 180°/360° can also be selected by the operator.



Adjustable operating

The steering wheel position and console are fully adjustable to match the needs of any operator.

Easy access

The low-positioned step allows easy entry and exit from the machine.



365 DAYS
COMFORT

Comfortable cab

Experience a spacious, ergonomic design.



Low-noise hydraulic pump

This minimises lifting noise for more comfortable operating.

Easy access for service

Easy access to the main components simplifies maintenance.



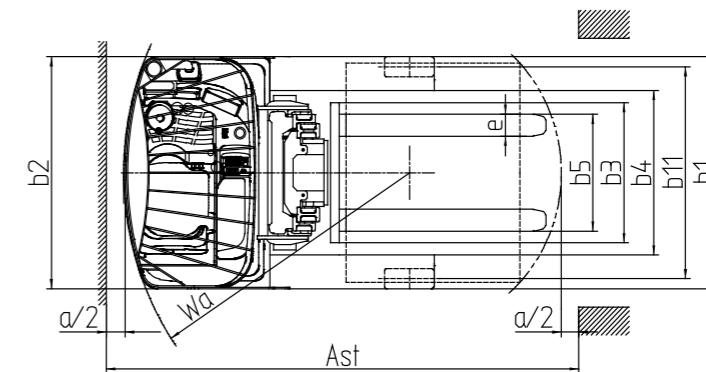
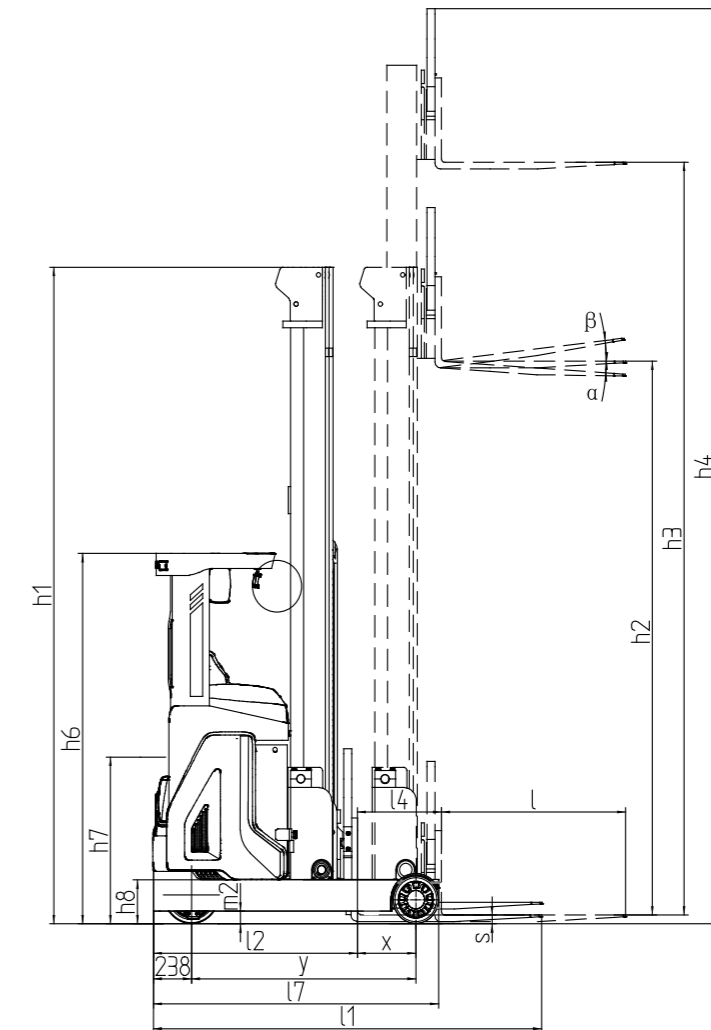
Shock-absorbing seat

Adjustable backrest and seatbelt as standard.

16/20BRJ-9B(H) SPECIFICATIONS

16/20BRJ-9B(H) DIMENSIONS

IDENTIFICATION					
1.1	Manufacturer (abbreviation)		Hyundai	Hyundai	Hyundai
1.2	Manufacturer's type designation		16BRJ-9B	20BRJ-9B	20BRJ-9BH
1.3	Drive : electric (battery or mains), diesel, petrol, LPG gas		Electric	Electric	Electric
1.4	Type of operation: hand, pedestrian, standing, seated, order-picker		Seated	Seated	Seated
1.5 (Q)	Load capacity / rated load	kg	1600	2000	2000
1.6 (c)	Load center distance	mm	600	600	600
1.8 (x)	Load distance, center of drive axle to fork	mm	365	395	405
1.9 (y)	Wheelbase	mm	1400	1500	1600
WEIGHTS					
2.1	Service weight	kg	3960	4220	5200
2.2	Axle loading, loaded front / rear	kg	2100 / 3460	2270 / 3950	2720 / 4480
2.3	Axle loading, unloaded front / rear	kg	2420 / 1540	2560 / 1660	2990 / 2210
WHEELS, CHASSIS					
3.1	Tires : solid rubber, superelastic, pneumatic, polyurethane		Polyurethane (PU)	Polyurethane (PU)	Polyurethane (PU)
3.2	Tire size, front		Ø343×140	Ø343×140	Ø406×152
3.3	Tire size, rear		Ø285×110	Ø330×110	Ø330×140
3.5	Wheels, number front / rear (x = driven wheels)		1x/2	1x/2	1x/2
3.7 (b1)	Tread, rear	mm	1160	1160	1290
BASIC DIMENSIONS					
4.1 (α / β)	Tilt of mast / fork carriage forward / backward	degree	4 / -2	4 / -2	4 / -2
4.2 (h1)	Height, mast lowered	mm	3900	3900	4900
4.3 (h2)	Free lift	mm	3290	3290	4290
4.4 (h3)	Lift height	mm	9500	9500	12500
4.5 (h4)	Height, mast extended	mm	10410	10410	13410
4.8 (h7)	Seat height to SIP	mm	960	960	1100
4.10 (h8)	Height of support arms	mm	270	270	270
4.15 (h13)	Height of lowered forks	mm	40	40	40
4.19 (l1)	Overall length	mm	2412	2488	2580
4.20 (l2)	Length to face of forks	mm	1273	1338	1430
4.21 (b1)	Overall width	mm	1270	1270	1270
4.22 (l / e / s)	Fork dimensions	mm	1150/100/35	1150/120/40	1150/120/40
4.23	Fork carriage iso 2328, class / type a, b		2 / A	2 / A	2 / A
4.25 (b5)	Width across forks	mm	220 / 750	240 / 750	240 / 750
4.26 (b4)	Distance between support arms	mm	900	900	900
4.28 (l4)	Reach distance	mm	525	525	640
4.31 (m1)	Ground clearance below mast loaded	mm	90	90	90
4.32 (m2)	Ground clearance center of wheelbase	mm	75	75	75
4.33 (Ast)	Aisle width for pallets 1000 x 1200 crossways	mm	2720	2840	2880
4.34 (Ast)	Aisle width for pallets 800 x 1200 lengthways	mm	2780	2900	2975
4.35 (Wa)	Turning radius	mm	1650	1750	1840
4.37 (l7)	Length across support arms	mm	1780	1900	2000
PERFORMANCE DATA					
5.1	Travel speed loaded / unloaded (option hp)	km/h	10.5 / 10.5 (14.0 / 14.0)	10.5 / 10.5 (14.0 / 14.0)	10.5 / 10.5 (14.0 / 14.0)
5.2	Lift speed loaded / unloaded (option hp)	mm/s	350 / 500 (450 / 700)	250 / 500 (350 / 500)	350 / 500
5.3	Lowering speed loaded / unloaded	mm/s	450 / 450	450 / 450	450 / 450
5.4	Reach speed loaded / unloaded	mm/s	100 / 100	100 / 100	100 / 100
5.8	Max. gradeability loaded / unloaded	%	10 / 15	10 / 15	10 / 15
5.10	Service brake		Hydraulic / Electric	Hydraulic / Electric	Hydraulic / Electric
E-MOTOR					
6.1	Drive motor rating s2 60 min (option hp)	kW	7 (10)	7 (10)	7 (10)
6.2	Lift motor rating at s3 15% (option hp)	kW	12.5 (20)	12.5 (20)	12.5 (20)
6.3	Battery acc. to din 43531/35/36 a, b, c, no		A, 3PzS	A, 4PzS	A, 4PzS
6.4	Battery voltage, nominal capacity k5	V/Ah	48 / 420 (48 / 560)	48 / 560	48 / 700
6.5	Battery weight	kg	750	950	950
6.6	Energy consumption acc. to vdi cycle (option hp)	kWh/h	4.22 (tba)	4.96 (tba)	5.09 / (tba)
6.7	Battery compartment dimensions l / w / h	mm	1216 / 284 / 754	1216 / 355 / 754	1216 / 428 / 754
OTHER DETAILS					
8.1	Type of drive control		AC	AC	AC
8.2	Operating pressure system / attachments	bar	150	150	150
8.3	Oil volume for attachments	l/min	40	40	42
8.4	Sound level at the driver's ear according to din 12053	dB(A)	68	68	68



16/20BRJ-9B(H) MAST SPECIFICATION

TYPE SHEET FOR INDUSTRIAL TRUCK ACC. TO VDI 2198

MAST TYPE Triplex free lift (1 central cylinder)	MAX FORK HEIGHT h3 (mm)	MAX MAST HEIGHT h4 Incl backrest (mm)	LOWERED HEIGHT h1 (mm)	FREE LIFT HEIGHT h2 (mm)	TILT ANGLE Fwd / Bwd (°)	LOAD CAPACITY @ LC 600MM Integral side shift (kg)
16BRJ-9B						
450	4500	5410	2235	1563	4° / 2°	1600
500	5000	5910	2400	1730	4° / 2°	1600
550	5500	6410	2568	1897	4° / 2°	1600
600	6000	6910	2735	2063	4° / 2°	1600
650	6500	7410	2900	2230	4° / 2°	1600
700	7000	7910	3068	2397	4° / 2°	1400
750	7500	8410	3234	2563	4° / 2°	1200
800	8000	8910	3400	2730	4° / 2°	1000
850	8500	9410	3567	2897	4° / 2°	800
900	9000	9910	3734	3063	4° / 2°	700
950	9500	10410	3900	3230	4° / 2°	600
20BRJ-9B						
450	4500	5410	2235	1563	4° / 2°	2000
500	5000	5910	2400	1730	4° / 2°	2000
550	5500	6410	2568	1897	4° / 2°	2000
600	6000	6910	2735	2063	4° / 2°	2000
650	6500	7410	2900	2230	4° / 2°	2000
700	7000	7910	3068	2397	4° / 2°	1800
750	7500	8410	3234	2563	4° / 2°	1600
800	8000	8910	3400	2730	4° / 2°	1400
850	8500	9410	3567	2897	4° / 2°	1200
900	9000	9910	3734	3063	4° / 2°	1000
950	9500	10410	3900	3230	4° / 2°	800
20BRJ-9BH						
1000	10000	10910	4067	3397	4° / 2°	900
1050	10500	11410	4234	3563	4° / 2°	800
1100	11000	11910	4400	3730	4° / 2°	700
1150	11500	12410	4567	3897	4° / 2°	600
1200	12000	12910	4733	4063	4° / 2°	550
1250	12500	13410	4900	4230	4° / 2°	500
1350	13500	14410	5233	4563	4° / 2°	500

16/20BRJ-9B(H) STANDARD/OPTIONAL EQUIPMENT

DESCRIPTION		16BRJ-9B 20BRJ-9B 20BRJ-9BH
SEAT	Seat fabric	●
	Grammer seat PVC	□
	Grammer seat fabric	□
FORK	Length: 1150 mm	●
	Length: 1220 mm - 1520 mm	□
ATTACHMENT	Integral side shift	●
	Without integral side shift	□
TYRES	Polyurethane (PU)	●
LAMP	Work lamp, combi lamp	●

DESCRIPTION		16BRJ-9B 20BRJ-9B 20BRJ-9BH
CAMERA	Remote camera & display	□
	Load weight indicator	□
CONVENIENCE	Height preselection system	□
	Battery side extraction	□
PERFORMANCE	High performance motor	□
SAFETY	LED beacon lamp	●
	Lead acid	●
BATTERY	Li-ion	□

● Standard □ Optional

OPTIONAL



Side battery extraction.



HD video camera.



Electronic height preselection system.



Integral side shift.

HYUNDAI

Contact your Hyundai Material Handling dealer:
hyundai-mh.eu/en/dealer-locator

In Europe, Hyundai Material Handling (HD Hyundai XiteSolution) is operated and managed by:

HD Hyundai Construction Equipment Europe nv, Hyundailaan 4,
3980 Tessenderlo-Ham, Belgium

T +3214 56 22 00 E info@hyundai.eu www.hyundai-mh.eu
VAT BE0454495082

The information and data contained in this brochure is the property of HD Hyundai XiteSolution and has been compiled with the utmost care. Specifications and designs are subject to change at any time without notice. As general data, images and descriptions have been used in the brochure, Hyundai products may be fitted with non-standard equipment. The publication of this brochure cannot be regarded as an offer or proposal to contract and is intended for European markets only.

HY-MH-00055_03/2025_EN_ISSUE1