

# 25/30/35DE-9V

STAGE V DIESEL FORKLIFT TRUCKS



Load Capacity  
2500 – 3500 kg

Motor  
2,4 L • 49,1 kW • 245 Nm

Lift Height  
6000 mm

## INTRODUCTION

This leaflet contains temporary details announcing the launch of this product. It will be replaced by the full brochure, available soon!

# VALUE-DRIVEN PERFORMANCE AND SUSTAINABILITY

## Key features:

### Performance UP

- Powerful & reliable HD Hyundai Infracore (HDI) industrial engine with high torque at low rpm, compliant with Stage V emission standards and featuring low fuel consumption
- Power shift for heavy duty work
- Direct and responsive transmission for smooth and precise operations
- Durable drive axle with wet brake discs, including auto parking brake system
- Standard and Power engine mode
- Panoramic view through the 3-stage TS mast **OPTION**

### Safety UP

- Auto-parking brake
- Hill assist control
- Operator presence sensing system
- Seat belt interlock
- Speed limit
- Overload warning and load weighting system **OPTION**
- Startup restriction

### Convenience UP

- Multi-functional digital colour cluster
- Optimized ergonomic pedal lay out
- Hydraulic power steering system with 70mm diameter steering wheel
- Adjustable full-suspension seat with armrests
- Multiple cabin options available with wide view and easy to open/shut cabin doors
- Air con / Heater **OPTION**

### Maintenance UP

- Large workspace for easy maintenance accessibility
- Engine failure and maintenance warning displayed through the cluster
- Transmission configured to reduce maintenance time
- Durable LED lights
- Easy accessible exhaust aftertreatment system

## The new Hyundai 25/30/35DE-9V Diesel Forklift Trucks

The 25/30/35DE-9V is an innovative forklift truck engineered to combine environmental sustainability, performance and cost-effectiveness. The reliable and highly acclaimed HD Hyundai Infracore (HDI) industrial engine provides powerful performance with low fuel consumption, fully complying with EU Stage 5 regulations. The forklift truck design is optimized for easy maintenance, excellent visibility, ergonomics and operational safety, all with a low Total Cost of Ownership (TCO).



HD Hyundai Infracore (HDI) industrial engine



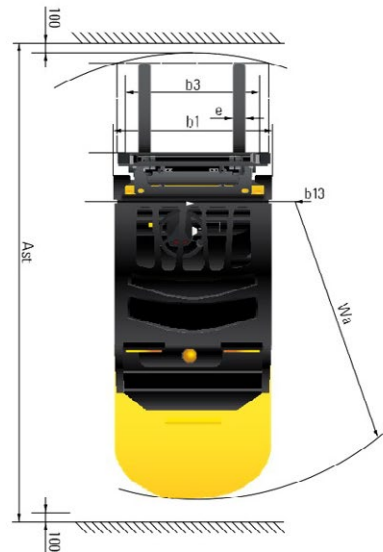
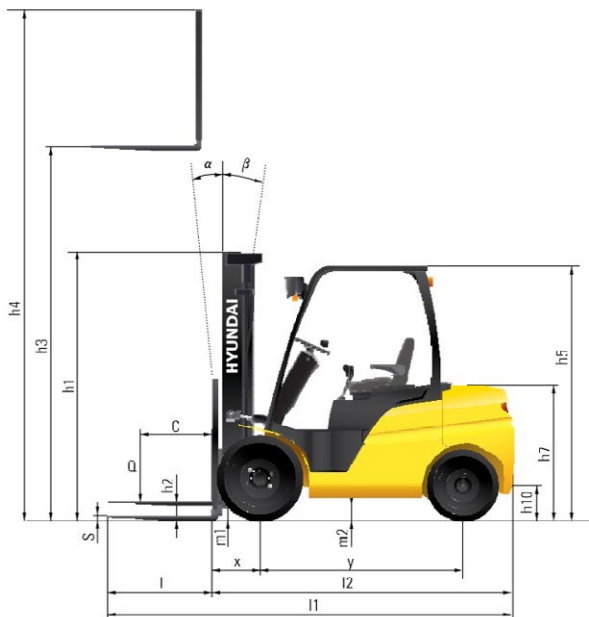
# STANDARD/OPTIONAL EQUIPMENT / DIMENSIONS

DESCRIPTION		25DE-9V / 30DE-9V / 35DE-9V	
OPERATION	OHG / CABIN	Overhead guard	●
		Full cabin	□
		Partial cabin - top cover & front & rear window, including wipers	□
		Top cover	□
	CLIMATE	Airconditioning	□
		Heater	□
SEAT	Grammer, orange belt, armrest, buckle sw	●	
	Grammer, orange belt, armrest, buckle sw, heat	□	
MAST & ATTACHMENT	MAST	V-Duplex - no free lift (V330)	●
		V-Duplex - no free lift - other heights	□
		VF-Duplex - free lift - 1 central cylinder	□
		TF-Triplex - free lift - 1 central cylinder	□
		TS-Triplex - free lift - 2 central cylinders	□
	FORK	Attachment piping for 3, 4 spool	□
		Standard: 1050 mm	●
	CARRIAGE / ATTACHMENT	Other fork lengths: 900 mm ~1800 mm	□
		Hook on type	●
		Integral side shift	□
Integral side shift + fork positioner		□	
Side shift (hook on type)		□	
Backrest	●		

DESCRIPTION		25DE-9V / 30DE-9V / 35DE-9V	
HYDRAULICS	MCV	3 Spool MCV	●
		2 or 4 Spool MCV	□
TIRES	OIL	HYD oil - VG 32	●
		HYD oil - VG 15 or VG 68	□
		Pneumatic	●
VISIBILITY	LAMP	Solid	□
		Non-marking	□
VISIBILITY	CAMERA	Front LED	●
		Front & rear LED	□
	MIRROR	Rear camera	□
		Front & rear camera	□
CONVENIENCE	MIRROR	Panorama mirror	●
		Panorama mirror & back mirror LH/RH	□
SAFETY	OTHERS	Load sensor	□
		Auto tilt	□
		Seat belt interlock	●
		Master switch (cut off electricity from battery)	□
		Hazard switch	□
		LED beacon lamp	□
OTHERS	SAFETY	Safety lamp - rear blue, red zone	□
		Rear grip with horn button	□
OTHERS	SAFETY	Fire extinguisher	□
		Pre-air cleaner	□

● Standard □ Optional

## DIMENSIONS



# MAST SPECIFICATION

## TYPE SHEET FOR INDUSTRIAL TRUCK ACC. TO VDI 2198

MAST TYPE	MAX FORK HEIGHT h3 (mm)	LOWERED HEIGHT h1 (mm)	FREE LIFT HEIGHT with backrest h2 (mm)	TILT ANGLE Fwd / Bwd (°)	LOAD CAPACITY @ LC 500MM		TRUCK WEIGHT (UNLOADED) Standard Configuration** (single tire) (kg)	
					No Attachment (single tire) (kg)	Integral Side Shift (single tire) (kg)		
<b>25DE-9V</b>								
V-Duplex-No Free Lift	V300	3000	2025	155	6° / 10°	2500	2500	3325
	V330	3300	2175	155	6° / 10°	2500	2500	3344
	V400	4000	2575	155	6° / 10°	2430	2430	3402
	V450	4500	2875	155	6° / 6°	2330	2330	3463
	V500	5000	3125	155	6° / 6°	2240	2240	3497
VF-Duplex-Free Lift-1 Central Cylinder	VF295	2976	2025	1377	6° / 6°	2500	2500	3325
	VF325	3276	2175	1527	6° / 6°	2500	2500	3344
	VF345	3476	2275	1627	6° / 6°	2500	2500	3357
TF-Triplex-Free Lift-1 Central Cylinder	TF430	4300	2025	1377	6° / 6°	2340	2340	3471
	TF450	4500	2125	1477	6° / 6°	2300	2300	3488
	TF470	4700	2175	1527	6° / 6°	2270	2270	3497
	TF500	5000	2275	1627	6° / 6°	2220	2220	3515
	TF550	5500	2475	1827	6° / 6°	2130	2130	3552
	TF600	6000	2675	2027	6° / 6°	2040	2040	3632
TS-Triplex-Free Lift-2 Central Cylinders	TS430	4300	2025	1377	6° / 6°	2340	2340	3487
	TS450	4500	2125	1477	6° / 6°	2300	2300	3503
	TS470	4700	2175	1527	6° / 6°	2270	2270	3513
	TS500	5000	2275	1627	6° / 6°	2220	2220	3532
	TS550	5500	2475	1827	6° / 6°	2130	2130	3568
	TS600	6000	2675	2027	6° / 6°	2040	2040	3649
<b>30DE-9V</b>								
V-Duplex-No Free Lift	V300	3000	2040	155	6° / 10°	3000	3000	3767
	V330	3300	2190	155	6° / 10°	3000	3000	3786
	V400	4000	2590	155	6° / 10°	2910	2910	3844
	V450	4500	2890	155	6° / 6°	2800	2800	3904
	V500	5000	3140	155	6° / 6°	2690	2690	3939
VF-Duplex-Free Lift-1 Central Cylinder	VF295	2976	2040	1392	6° / 6°	3000	3000	3760
	VF325	3276	2190	1542	6° / 6°	3000	3000	3779
	VF345	3476	2290	1642	6° / 6°	3000	3000	3792
TF-Triplex-Free Lift-1 Central Cylinder	TF430	4300	2040	1392	6° / 6°	2820	2820	3906
	TF450	4500	2140	1492	6° / 6°	2780	2780	3923
	TF470	4700	2190	1542	6° / 6°	2740	2740	3932
	TF500	5000	2290	1642	6° / 6°	2680	2680	3950
	TF550	5500	2490	1842	6° / 6°	2580	2580	3987
	TF600	6000	2690	2042	6° / 6°	1960	1960	4067
TS-Triplex-Free Lift-2 Central Cylinders	TS430	4300	2025	1377	6° / 6°	2820	2820	3938
	TS450	4500	2125	1477	6° / 6°	2780	2780	3935
	TS470	4700	2175	1527	6° / 6°	2740	2740	3945
	TS500	5000	2275	1627	6° / 6°	2680	2680	3964
	TS550	5500	2475	1827	6° / 6°	2580	2580	4000
	TS600	6000	2675	2027	6° / 6°	1960	1960	4080
<b>35DE-9V</b>								
V-Duplex-No Free Lift	3000	3000	2040	155	6° / 10°	3500	3500	4131
	3300	3300	2190	155	6° / 10°	3500	3500	4150
	4000	4000	2590	155	6° / 10°	3440	3440	4208
	4500	4500	2890	155	6° / 6°	3300	3300	4268
	5000	5000	3140	155	6° / 6°	3180	3180	4303
VF-Duplex-Free Lift-1 Central Cylinder	2976	2976	2040	1392	6° / 6°	3500	3500	4124
	3276	3276	2190	1542	6° / 6°	3500	3500	4143
	3476	3476	2290	1642	6° / 6°	3500	3500	4156
TF-Triplex-Free Lift-1 Central Cylinder	4300	4300	2040	1392	6° / 6°	3340	3340	4270
	4500	4500	2140	1492	6° / 6°	3290	3290	4287
	4700	4700	2190	1542	6° / 6°	3240	3240	4296
	5000	5000	2290	1642	6° / 6°	3170	3170	4314
	5500	5500	2490	1842	6° / 6°	2860	2860	4351
	6000	6000	2690	2042	6° / 6°	1810	1810	4431
TS-Triplex-Free Lift-2 Central Cylinders	4300	4300	2025	1377	6° / 6°	3340	3340	4302
	4500	4500	2125	1477	6° / 6°	3290	3290	4299
	4700	4700	2175	1527	6° / 6°	3240	3240	4309
	5000	5000	2275	1627	6° / 6°	3170	3170	4328
	5500	5500	2475	1827	6° / 6°	2860	2860	4364
6000	6000	2675	2027	6° / 6°	1810	1810	4444	

\*\* Standard configuration: No options, without attachment, forks only, without hydraulic piping



# HYUNDAI

Contact your Hyundai Material Handling dealer:  
[hyundai-mh.eu/en/dealer-locator](https://hyundai-mh.eu/en/dealer-locator)

In Europe, Hyundai Material Handling (HD Hyundai XiteSolution) is operated and managed by:

HD Hyundai Construction Equipment Europe nv, Hyundailaan 4,  
3980 Tessenderlo-Ham, Belgium

T +3214 56 22 00 E [info@hyundai.eu](mailto:info@hyundai.eu) [www.hyundai-mh.eu](http://www.hyundai-mh.eu)  
VAT BE0454495082

The information and data contained in this leaflet is the property of HD Hyundai XiteSolution and has been compiled with the utmost care. Specifications and designs are subject to change at any time without notice. As general data, images and descriptions have been used in the leaflet, Hyundai products may be fitted with non-standard equipment. The publication of this leaflet cannot be regarded as an offer or proposal to contract and is intended for European markets only.

HY-MH-00062. 02/2025. EN. ISSUE1